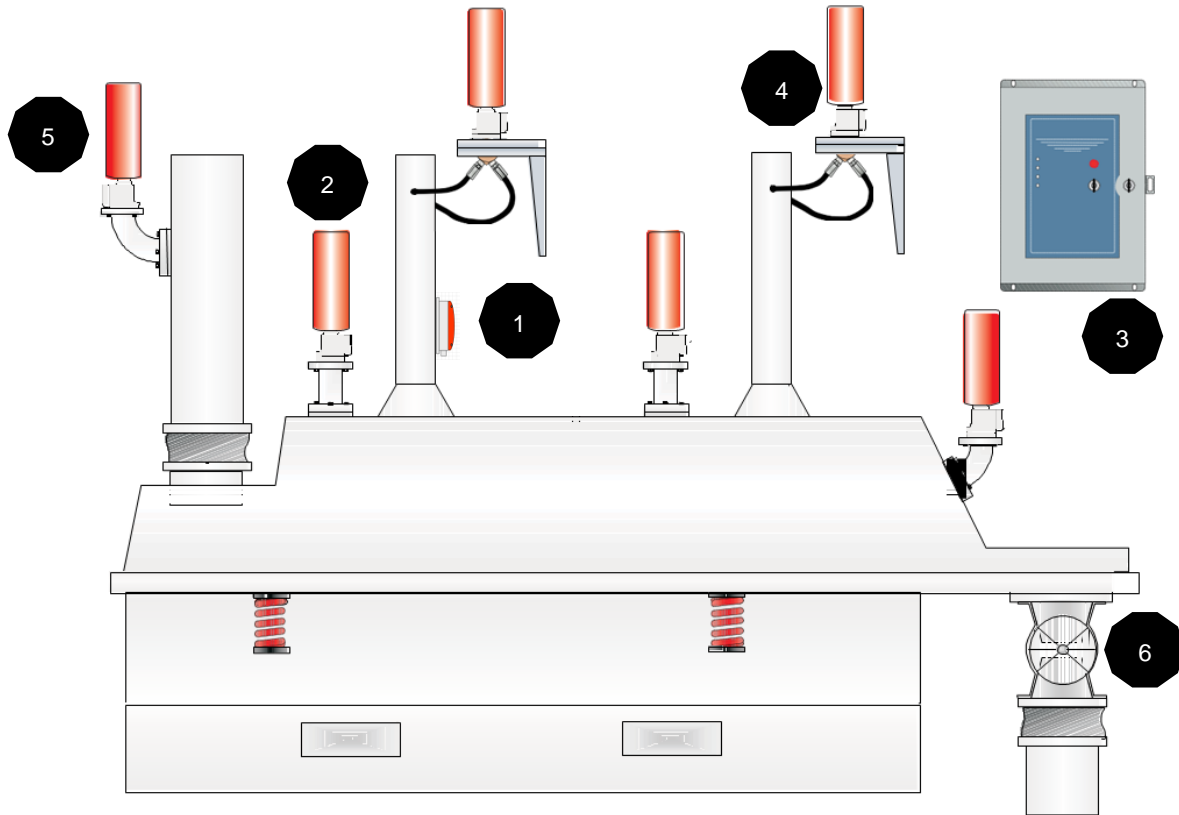


## Fluid Bed Dryers

### Explosion Suppression Systems



### Application

Fluid beds are used for cooling or drying material. Product is gravity-fed onto an enclosed horizontal perforated plate. Hot or cold air introduced below the plate blows through the product to create a fluidized bed of material. The fluid bed dryer (or cooler) oscillates in a manner which transports the material to a weir at the discharge end of the plate. The air exhausts through top mounted take off ducts to one or more dust collectors or cyclone separators.

### System Components

1. Pressure Detector
2. HRD Suppressor
3. Single Zone Control Panel
4. Isolation Suppressor with Dual Exit Hose Assembly
5. Isolation Suppressor with Spreader Nozzle
6. Rotary Gate Valve (by others)

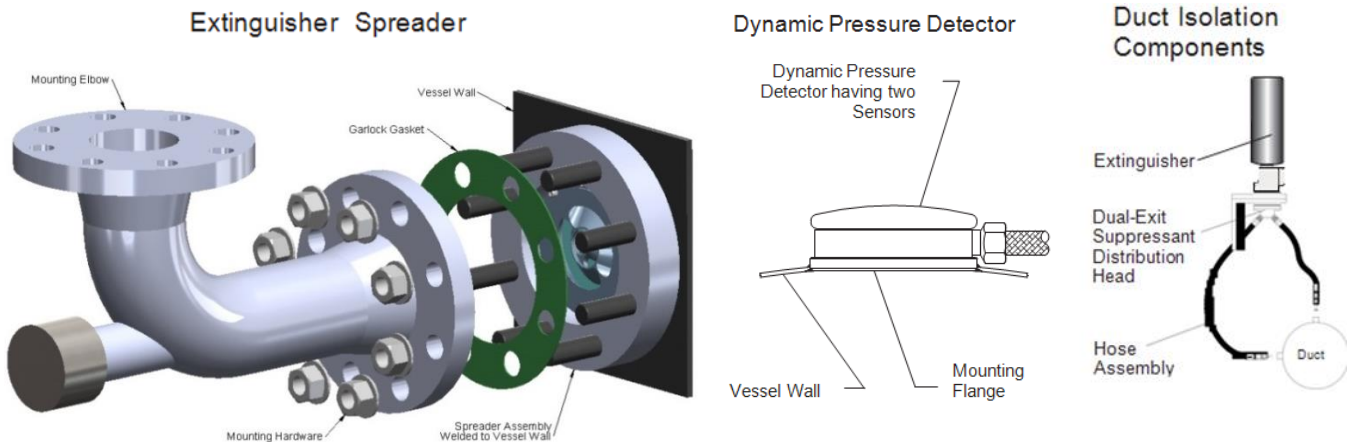
## Hazard

If the material being handled by a process is combustible, then any dust generated will pose an explosion hazard. Fluid bed dryers/coolers generate a potentially explosive dust/air mixture as the material being dried or cooled is fluidized by the incoming air. Under these conditions, an ignition source is all that is required to initiate an explosion. This can be provided by incoming burning particles from upstream equipment such as other dryers. Material adhering to the walls of the dryer or material building up at the internal weir can also auto-ignite providing the ignition source for an explosion.

## Protection System Description

Fluid bed dryers/coolers are commonly located inside the plant making protection by explosion relief venting impractical. Their geometry also makes venting difficult to accomplish. An explosion suppression system provides the solution. In such a system, explosion pressure detectors mounted on the fluid bed dryer/cooler detect the pressure excursion from an incipient explosion. The detectors transmit a signal to a control panel, which triggers high rate discharge suppressants while simultaneously shutting down the process. The suppressors mounted on the dryer/cooler rapidly discharge suppressant in an effort to quench the fireball before maximum explosion pressures are reached. Isolation suppressors mounted on the inlet duct and dust extraction ducts reduce the risk of explosion propagation to interconnected process equipment. An explosion-proof rotary gate valve mounted on the discharge duct reduces the likelihood of burning material passing downstream.

## Typical Installation Details



## Contact Information

For additional information, please contact one of the following locations:

### IEP Technologies

United States: Tel: +1 (855) 793 8407

United Kingdom: Tel: +44(0) 1242 283 060

Switzerland: Tel: +41 (0) 62 207 10 10

Germany: Tel: +49 (0) 2102 5889 0